

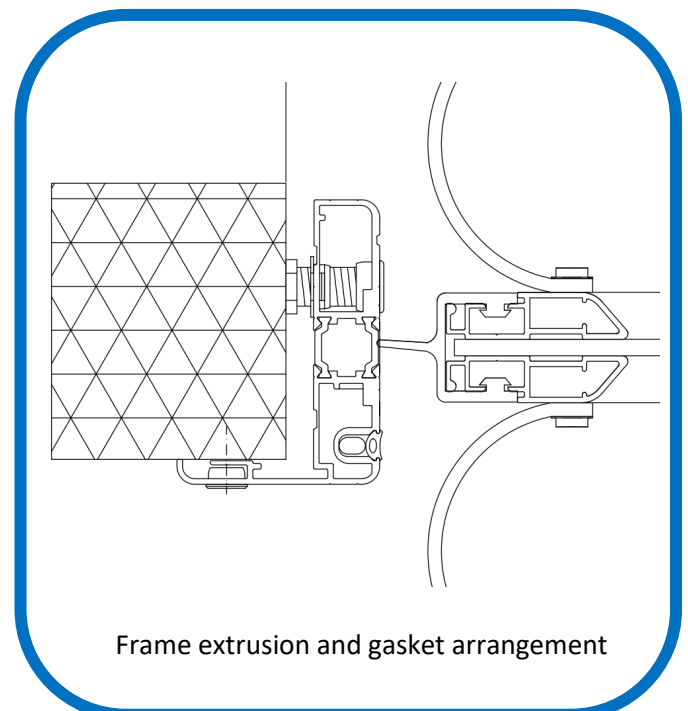
***“No More Nightmare,
Night -Door!”***

SMI’s policy regarding the Green Door™ is simple; it is determined to supply the most energy saving swing door with the longest life and minimum servicing requirement.

This will result in the most cost effective thermal Cold Room Door on the market that can replace a night door.

A versatile single or double leafed 180° swing door with see through hygienic windows and with changeable parts.

- **Enormous energy savings of 25% in chillers and 33% in freezers.**
- **User friendly– “No More Nightmare, Night-Door capital costs and servicing.”**
- **Integral Tempro® thermal protection.**
- **Unique profile and gasket prevents thermal bridging.**
- **Easily serviced with pop-in gaskets adjustable to door size.**
- **Built-in shock resisting SMI’s impact buffers™.**
- **Unique 180° swing through spring hinges that can be adjusted.**
- **Supplied with its own frame.**
- **Constructed for longevity.**
- **Versatile single & double leafed with see through Bio-Gard™ Anti-Bacterial window.**



Thermal Information

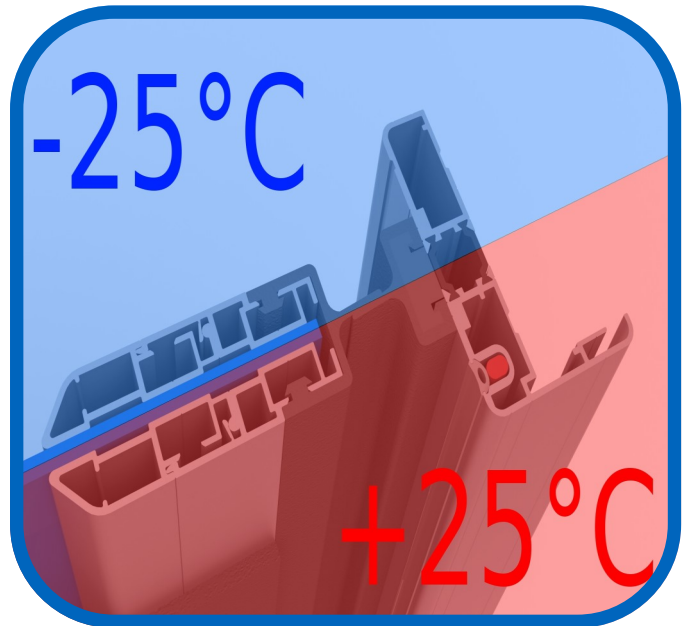
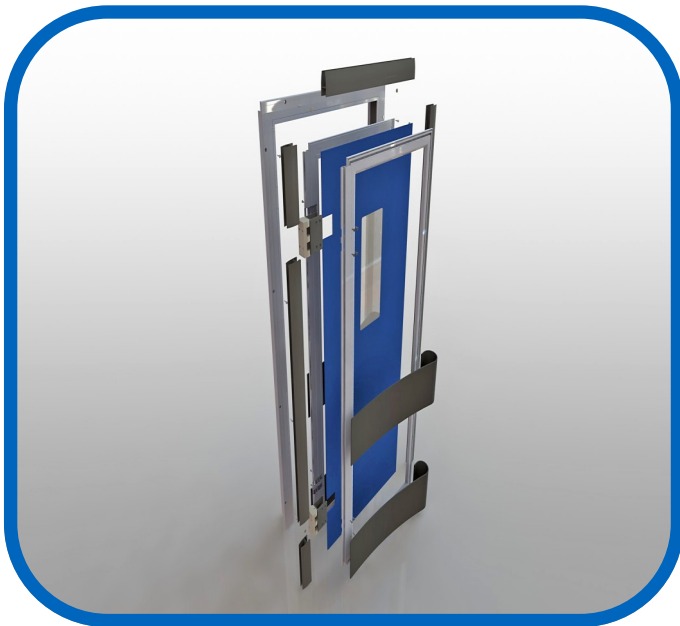
14.5a

Product	Thermal Resistance			Thermal Transmittance
	Tog	Clo	K Value m ² K/W	U Value W/(m ² K)
TF25 Tempro® 25mm	6.6	4.26	0.66	1.52

Figures may be improved when Tempro® is matched with different face or lining materials or if a heavier Tempro® core specification is demanded. Tempro® is Fire Retardant to BS 5867: Pt 2 1980.

Tempro® Technical information and Trial results available.

Technical Specification;



Fitting instructions and site survey forms are available for both freezer and chiller applications upon request.

Please take into consideration when fitting a Green Door that the door opening should be 260mm wider than the largest product regularly entering the door opening for single doors and 430mm for double door installations.

Contact details are as follows:

Seymour Manufacturing International Ltd
 Unit 3, Stafford Park 16, Telford, Shropshire, TF3 3BS
 Tel: +44 (0) 1952 201 201 Fax: +44 (0) 1952 201 200
 email: enquiries@seymour-mi.com
 Website: www.seymour-mi.com



SCAN ME

